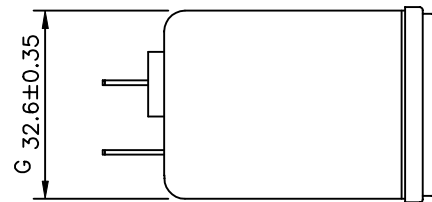
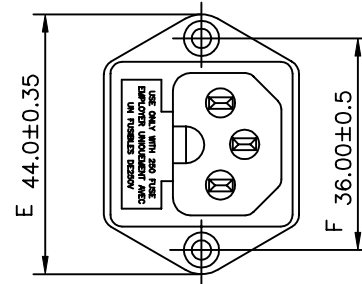
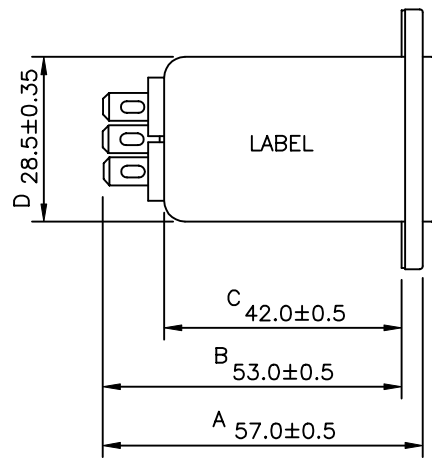


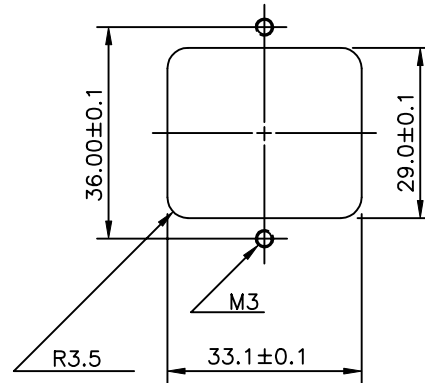
Rev.	Description	Date	Approved

PHYSICAL DIMENSIONS:



UNIT: mm

SUGGESTED MOUNTING CUTOUT



1. ELECTRICAL CHARACTERISTICS:

- 1-1. VOLTAGE RATING 115/250V
- 1-2. CURRENT RATING
 - A. AT 115VAC 4 A RMS Max.
 - B. AT 250VAC 4 A RMS Max.
- 1-3. OPERATING FREQUENCY..... 50/60 Hz
- 1-4. LEAKAGE CURRENT: EACH LINE TO GROUND
 - A. @115VAC 60Hz 0.25 mA MAX.
 - B. @250VAC 50Hz 0.45 mA MAX.

1-5. HIPOT RATING (FOR ONE MINUTE)

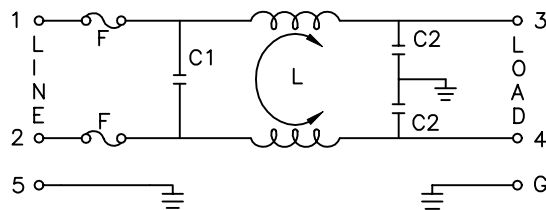
- A. LINE TO GROUND 2250 VDC
- B. LINE TO LINE 1450 VDC

1-6. MINIMUM INSERTION LOSS IN dB:

FREQ. MHz	.01	.05	.10	.15	.50	1.0	5.0	10	30
COM. MODE dB	/	/	/	19	30	32	42	42	39
DIF. MODE dB	/	/	/	5	14	21	48	48	42

- 1-7. AMBIENT TEMPERATURE:40°C
- 1-8. OPERATING TEMPERATURE:-25°C TO +85°C
- 1-9. SAFETY :

ELECTRICAL SCHEMATIC:



L: 1.8mH
C1: 0.1uF
C2: 3300pF

Dim range (mm)	Tolerance +/- (mm)	Qualtek Electronics Corp. PPC DIVISION		
		Part Number: 860-04/014		
0-1	0.15	Description: EMI FILTER		
1-6	0.20			
6-18	0.30	Drawn/Date	Checked/Date	Approved/Date
18-50	0.50			
50-120	0.70	B.ZHANG 02-03-03	D/02-03-03	JJH/02-03-03
120-250	0.90			
250-500	1.20			